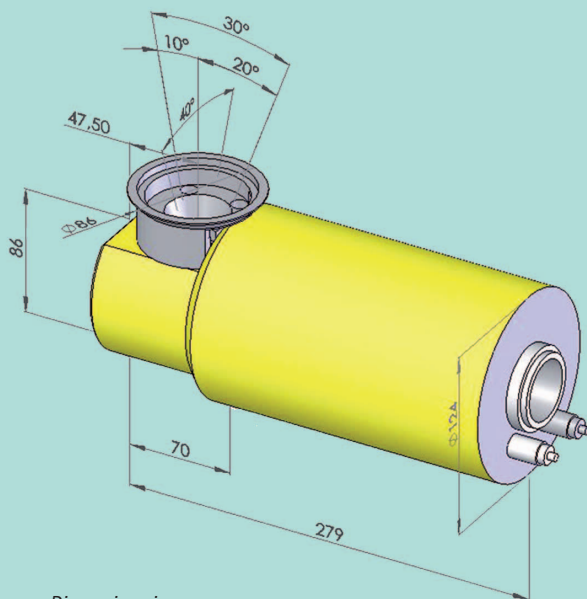


Y.TU 225-D04

End grounded metal-ceramic X-ray tube



From plastics to light alloys and up to steel, end grounded metal-ceramic X-ray tubes from YXLON International cover a wide inspection range.

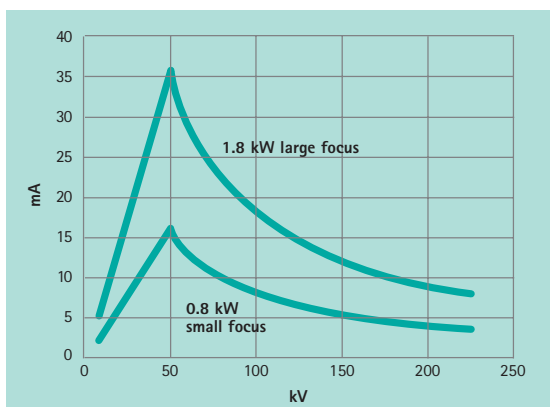
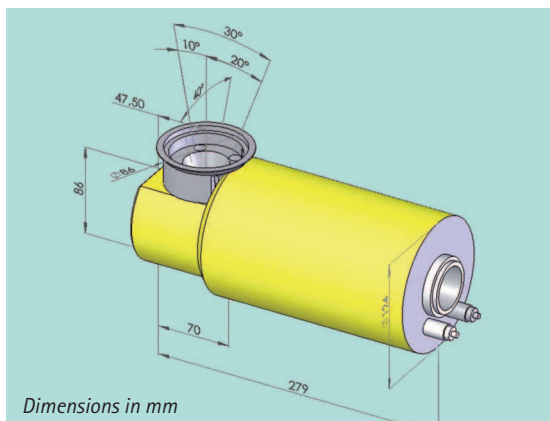
The Y.TU 225-D04 combines very small focal spots with high output. This enables detection of the tiniest flaws and reduces inspection time.

Providing a high level of mechanical and electrical strength YXLON X-ray tubes are both compact and lightweight.

Together with the YXLON generators, power supplies and control units the X-ray tubes form powerful systems, setting the standards in efficiency, reliability and lifecycle.

YXLON. The reason why.

- high penetration power
- small focal spot size
- long lifecycle
- high reliability
- extensive service



Loading data: Shown are the max. permissible anode currents. Within the X-ray system these anode currents may be limited by power suppliers or generators.

| | |
|--|---------------------|
| Max. tube voltage | 225 kV |
| Focal spot size (acc. EN12543) | 0.4 mm / 1.0 mm |
| Max. power (small / large focus) | 0.8 kW / 1.8 kW |
| Max. tube current at 225 kV | 3.6 mA / 8.0 mA |
| Emergent beam angle | 40° x 30° |
| Inherent filtration¹ | 0.8 mm Be + 4 mm Al |
| Leakage radiation² | < 5.0 mSv/h |
| Coolant | Water |
| Max. inlet temperature | 45 °C |
| Min. flow rate | 4 l/min |
| Environmental conditions | |
| Operation temperature | -10 °C...+40 °C |
| Storage temperature | -25 °C...+70 °C |
| Relative humidity | |
| - Operation | 90% |
| - Storage | 95% |
| Weight | 11 kg |
| H.V. connection³ | Flange R12 |
| Order no. | 9421 172 31403 |

¹ Al-filter removable by using tools;
Al-filter acc. DIN 54113 and SSI FS1989:2

² Measured at 1.0 m distance from the focal spot with X-ray port closed and X-ray tube operating at full load.